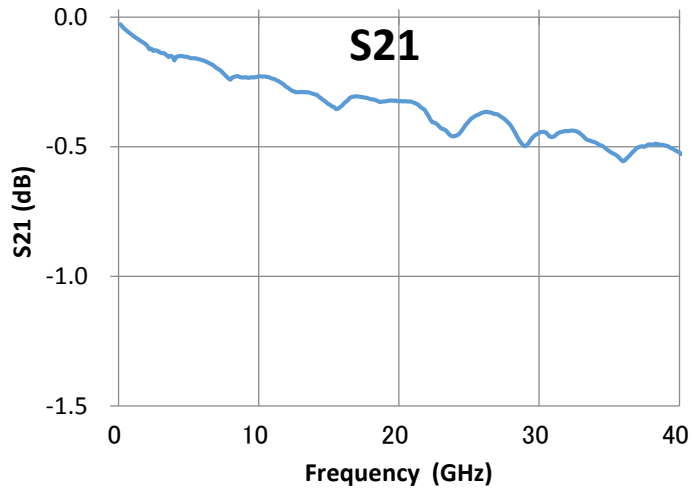




RF Probe Model: TPD40 Adjustable Series

Typical Insertion Loss (GSG-GSG150um pitch)



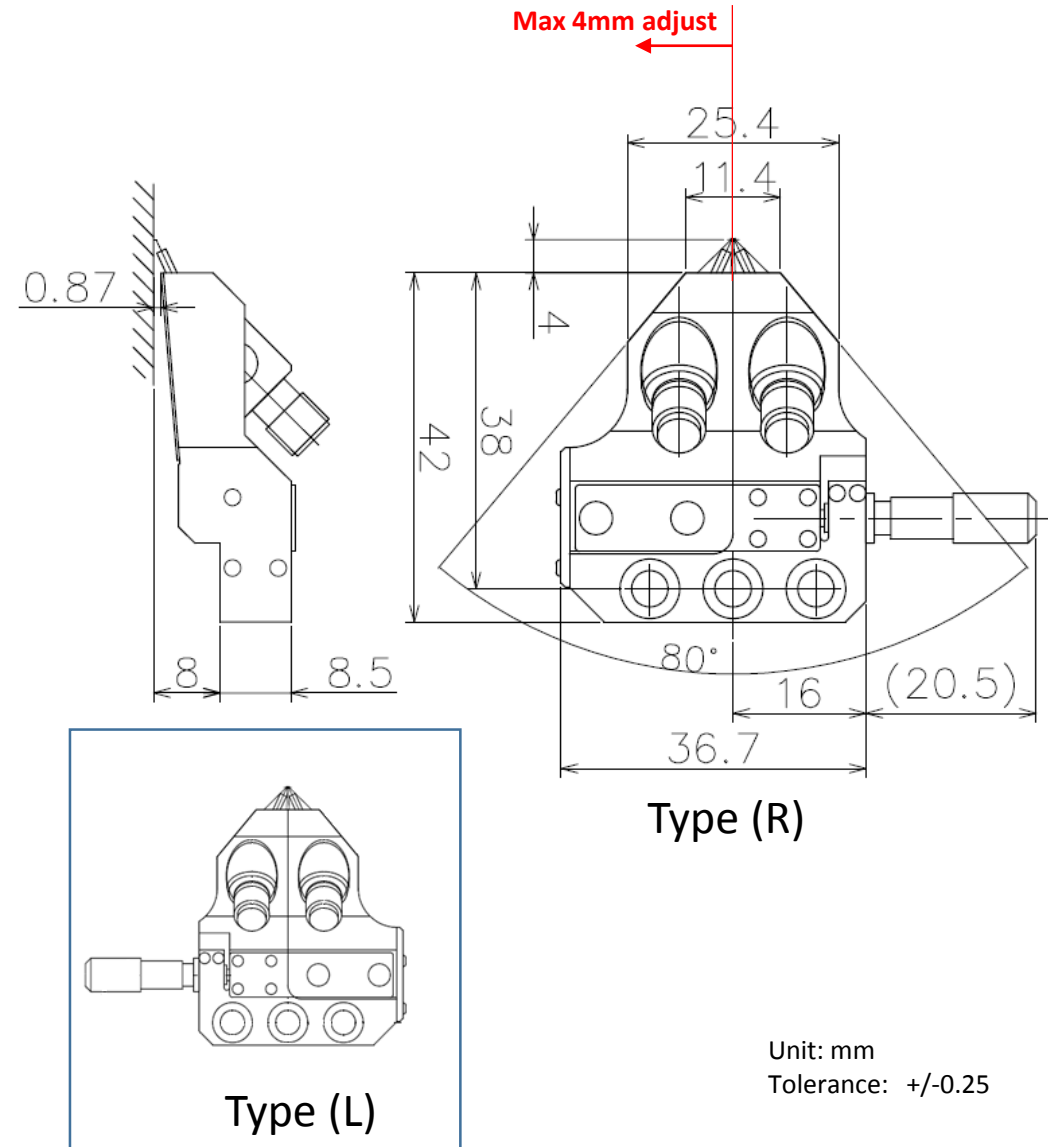
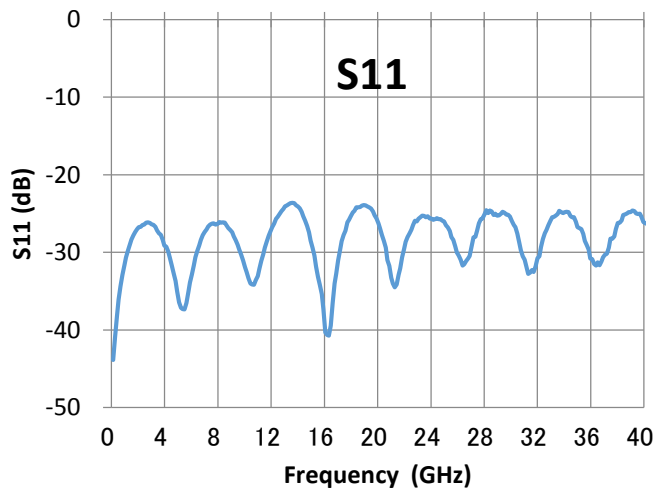
Electric Performance

Characteristic impedance	50 ohm
Frequency range	DC to 40GHz
Insertion loss (Typ. GSG-GSG 150µm)	-1.0dB
Return Loss (Typ. GSG-GSG150µm)	-15dB
DC voltage	100V
DC current	1A
RF Power @ 10GHz max	5W
Contact resistance on Au	0.05 ohm

Mechanical Performance

Connector	2.92mm (J)
Available Pitch (Or Custom RF Cantilever)	50 to 1000µm (25um step) Recommended maximum pitch between GS(SG): 250um
Available Configuration	GSG-GSG, GS-SG
Adjustable Range	4,000um / 4mm (Max)
Probe Material	TBD
Body Material	Aluminum Alloy
Contact pressure @2mil Over travel	20g
Contact Cycle (Auto Probe Mode: OD 1mil)	1M
XY position error	Max 10um
Planarity error	Max 10um
Scribing mark (Width)	30um

Typical Return Loss (GSG-GSG150um pitch)



Unit: mm
Tolerance: +/-0.25